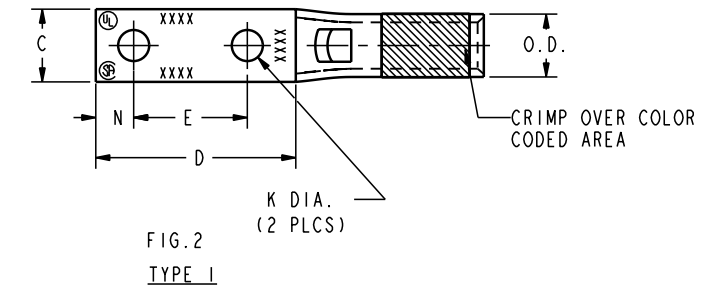
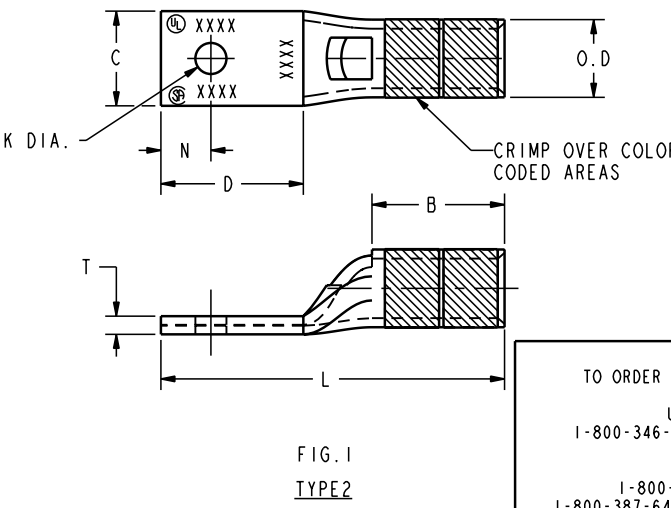


DRAWING NO. SD201517	DIMENSIONS														INSTALLATION TOOLING										WIRE STRIP LENGTH				
	CATALOG NUMBER	NAVY CABLE SIZE	ACCOMMODATES	FIG.	STUD SIZE	O.D.	B	C	D MIN.	E	K	L	N	T	COLOR CODE & DIE INDEX			DIELESS TOOLS & NO. OF CRIMPS	TOOLS, DIE NO.'S & (NO. OF CRIMPS)										
															DIE INDEX	COLOR	TYPE		MD6	MD6-6R2	MD7-34R	OUR840	BCT500, Y500CT PAT600	Y35, Y39, Y750, PAT750, Y45, Y46		Y48B	Y60BHU		
YA8CLNT6	N23	#8 STR (.146)	1	6	.270	.44 [11]	.29 [7]	.41 [10]	----	.15 [4]	1.08 [27]	.19 [5]	.09 [2]	49	RED	1	10	W8CRT(1) W8CVT(1)	W8CRT(1) W8CVT(1)	W8CVT(1) W8CRT(1)	X8CRT (1)	W8CRT(1) W8CVT(1)	U8CRT (1)	----	----	1/2"			
YA8CLNT8	N23	#8 STR (.146)	1	8	.270	.44 [11]	.33 [8]	.47 [12]	----	.18 [5]	1.18 [30]	.22 [6]	.09 [2]	49	RED	1	10	W8CRT(1) W8CVT(1)	W8CRT(1) W8CVT(1)	W8CVT(1) W8CRT(1)	X8CRT (1)	W8CRT(1) W8CVT(1)	U8CRT (1)	----	----	1/2"			
YA6CLNT6	---	#6 STR (.184)	1	6	.290	.54 [14]	.29 [7]	.41 [10]	----	.15 [4]	1.17 [30]	.19 [5]	.09 [2]	7 OR 374	BLUE	1	10	W5CRT(1) W5CVT(1)	W5CRT(1) W5CVT(1)	W5CRT(1) W5CVT(1)	X5CRT (1)	W5CRT(1) W5CVT(1)	U5CRT (1)	----	----	9/16"			
YA4CLNT10	N40	#4 STR (.292)	1	8-10	.340	.81 [21]	.40 [10]	.64 [16]	----	.20 [5]	1.73 [44]	.31 [8]	.09 [2]	8 OR 346	GRAY	1	10	W4CRT(1) W4CVT(1)	W4CRT(1) W4CVT(1)	W4CRT(1) W4CVT(1)	X4CRT (1)	W4CRT(1) W4CVT(1)	U4CRT (1)	----	----	7/8"			
YA3CLNT516	N50	#3 STR (.262)	1	5/16"	.375	.88 [22]	.49 [12]	.62 [16]	----	.33 [8]	1.80 [46]	.25 [6]	.09 [2]	9	WHITE	1	MY29-3 (1)	----	----	----	----	----	U3CRT (1)	----	----	15/16"			
YA2CLNT14	N60	#2 STR (.292)	1	1/4"	.415	.88 [22]	.50 [13]	.56 [14]	----	.27 [7]	1.80 [46]	.25 [6]	.11 [3]	10	BROWN	1	MY29-11 (1)	W2CRT(1) W2CVT(1)	W2CRT(1) W2CVT(1)	W2CRT(1) W2CVT(1)	X2CRT (1)	W2CRT(1) W2CVT(1)	U2CRT (1)	----	----	15/16"			
YA2CLNT10	N60	#2 STR (.292)	1	8-10	.415	.88 [22]	.48 [12]	.56 [14]	----	.20 [5]	1.80 [46]	.25 [6]	.11 [3]	10	BROWN	1	Y2MR (2)	W2CRT(1) W2CVT(1)	W2CRT(1) W2CVT(1)	W2CRT(1) W2CVT(1)	X2CRT (1)	W2CRT(1) W2CVT(1)	U2CRT (1)	----	----	15/16"			
YA2CL2NT10E2	N60	#2 STR (.292)	2	8-10	.415	.88 [22]	.48 [12]	1.32 [34]	.75 [19]	.20 [5]	2.56 [65]	.25 [6]	.11 [3]	10	BROWN	1	Y644M (1)	W2CRT(1) W2CVT(1)	W2CRT(1) W2CVT(1)	W2CRT(1) W2CVT(1)	X2CRT (1)	W2CRT(1) W2CVT(1)	U2CRT (1)	----	----	15/16"			
YA2CL2NT14	N60	#2 STR (.292)	2	1/4"	.415	.88 [22]	.48 [12]	1.26 [32]	.63 [16]	.27 [7]	2.47 [63]	.31 [8]	.11 [3]	10	BROWN	1	Y644M (1)	W2CRT(1) W2CVT(1)	W2CRT(1) W2CVT(1)	W2CRT(1) W2CVT(1)	X2CRT (1)	W2CRT(1) W2CVT(1)	U2CRT (1)	----	----	15/16"			
YA2CL2NT14E2	N60	#2 STR (.292)	2	1/4"	.415	.88 [22]	.48 [12]	1.39 [35]	.75 [19]	.27 [7]	2.60 [66]	.31 [8]	.11 [3]	10	BROWN	1	Y644M (1)	W2CRT(1) W2CVT(1)	W2CRT(1) W2CVT(1)	W2CRT(1) W2CVT(1)	X2CRT (1)	W2CRT(1) W2CVT(1)	U2CRT (1)	----	----	15/16"			
YA2CL2NT14E1	N60	#2 STR (.292)	2	1/4"	.415	.88 [22]	.48 [12]	1.64 [42]	1.00 [25]	.27 [7]	2.84 [72]	.31 [8]	.11 [3]	10	BROWN	1	Y644M (1)	W2CRT(1) W2CVT(1)	W2CRT(1) W2CVT(1)	W2CRT(1) W2CVT(1)	X2CRT (1)	W2CRT(1) W2CVT(1)	U2CRT (1)	----	----	15/16"			
YA2CLNT516	N60	#2 STR (.292)	1	5/16"	.415	.88 [22]	.49 [12]	.62 [16]	----	.33 [8]	1.82 [46]	.25 [6]	.11 [3]	10	BROWN	1	MY29-3 (1)	W2CRT(1) W2CVT(1)	W2CRT(1) W2CVT(1)	W2CRT(1) W2CVT(1)	X2CRT (1)	W2CRT(1) W2CVT(1)	U2CRT (1)	----	----	15/16"			
YA1CLNT10	N75	#1 STR (.333)	1	8-10	.461	.88 [22]	.50 [13]	.94 [24]	----	.20 [5]	2.23 [57]	.25 [6]	.10 [3]	11 OR 375	GREEN	1	MY29-11 (1)	W1CRT(1) W1CVT(1)	W1CRT(1) W1CVT(1)	W1CRT(1) W1CVT(1)	X1CRT (1)	W1CRT(1) W1CVT(1)	U1CRT-1 (1)	----	----	15/16"			
YA1CLNT14	N75	#1 STR (.333)	1	1/4"	.461	.88 [22]	.50 [13]	.94 [24]	----	.27 [7]	2.23 [57]	.25 [6]	.10 [3]	11 OR 375	GREEN	1	Y644M (1)	W1CRT(1) W1CVT(1)	W1CRT(1) W1CVT(1)	W1CRT(1) W1CVT(1)	X1CRT (1)	W1CRT(1) W1CVT(1)	U1CRT-1 (1)	----	----	15/16"			
YA1CL2NT14	N75	#1 STR (.333)	2	1/4"	.461	.88 [22]	.50 [13]	1.26 [32]	.63 [16]	.27 [7]	2.55 [65]	.31 [8]	.11 [3]	11 OR 375	GREEN	1	MY29-3 (1)	W1CRT(1) W1CVT(1)	W1CRT(1) W1CVT(1)	W1CRT(1) W1CVT(1)	X1CRT (1)	W1CRT(1) W1CVT(1)	U1CRT-1 (1)	----	----	15/16"			
YA1CL2NT14E2	N75	#1 STR (.333)	2	1/4"	.461	.88 [22]	.50 [13]	1.39 [35]	.75 [19]	.27 [7]	2.68 [68]	.31 [8]	.10 [3]	11 OR 375	GREEN	1	Y644M (1)	W1CRT(1) W1CVT(1)	W1CRT(1) W1CVT(1)	W1CRT(1) W1CVT(1)	X1CRT (1)	W1CRT(1) W1CVT(1)	U1CRT-1 (1)	----	----	15/16"			
YA25LNT10	N100	1/0 STR (.372)	1	8-10	.513	.88 [22]	.62 [16]	.94 [24]	----	.20 [5]	2.28 [58]	.33 [8]	.12 [3]	12 OR 348	PINK	2	MY29-11 (1)	W25RT(2) W25VT(2)	W25RT(2) W25VT(2)	W25RT(2) W25VT(2)	X25RT (2)	W25RT(2) W25VT(2)	U25RT (1)	----	----	15/16"			
YA25LNT14	N100	1/0 STR (.372)	1	1/4"	.513	.88 [22]	.48 [12]	.67 [17]	----	.27 [7]	1.93 [49]	.31 [8]	.12 [3]	12 OR 348	PINK	2	Y644M (1)	W25RT(2) W25VT(2)	W25RT(2) W25VT(2)	W25RT(2) W25VT(2)	X25RT (2)	W25RT(2) W25VT(2)	U25RT (1)	----	----	15/16"			
YA25LNT516	N100	1/0 STR (.372)	1	5/16"	.513	.88 [22]	.62 [16]	.94 [24]	----	.33 [8]	2.28 [58]	.33 [8]	.12 [3]	12 OR 348	PINK	2	MY29-11 (1)	W25RT(2) W25VT(2)	W25RT(2) W25VT(2)	W25RT(2) W25VT(2)	X25RT (2)	W25RT(2) W25VT(2)	U25RT (1)	----	----	15/16"			
YA25LNT38	N100	1/0 STR (.372)	1	8-10	.513	.88 [22]	.62 [16]	.85 [22]	----	.41 [10]	2.18 [55]	.41 [10]	.12 [3]	12 OR 348	PINK	2	Y644M (1)	W25RT(2) W25VT(2)	W25RT(2) W25VT(2)	W25RT(2) W25VT(2)	X25RT (2)	W25RT(2) W25VT(2)	U25RT (1)	----	----	15/16"			
YA25L2NT14	N100	1/0 STR (.372)	2	1/4"	.513	.88 [22]	.48 [12]	1.30 [33]	.63 [16]	.27 [7]	2.56 [65]	.31 [8]	.12 [3]	12 OR 348	PINK	2	MY29-11 (1)	W25RT(2) W25VT(2)	W25RT(2) W25VT(2)	W25RT(2) W25VT(2)	X25RT (2)	W25RT(2) W25VT(2)	U25RT (1)	----	----	15/16"			
YA25L2NT14E1	N100	1/0 STR (.372)	2	1/4"	.513	.88 [22]	.48 [12]	1.94 [49]	1.00 [25]	.27 [7]	3.28 [83]	.25 [6]	.12 [3]	12 OR 348	PINK	2	Y644M (1)	W25RT(2) W25VT(2)	W25RT(2) W25VT(2)	W25RT(2) W25VT(2)	X25RT (2)	W25RT(2) W25VT(2)	U25RT (1)	----	----	15/16"			

- NOTES:
- MATERIAL: COPPER TUBING.
  - FINISH: TIN PLATED.
  - CAT NO. PT6515 ADAPTOR IS REQUIRED TO USE 'U' DIES IN Y45 SERIES TOOLS.
  - CAT NO. PUADP-1 ADAPTOR IS REQUIRED TO USE 'U' DIES IN Y46 SERIES TOOLS.
  - DUE TO LIMITED SPACE, NAVY & COLOR STAMPING WILL NOT APPEAR ON TONGUE OF YA2CL THRU YA26L.
  - DIMENSIONS IN BRACKETS [ ] ARE IN MILLIMETERS ROUNDED OFF TO THE NEAREST MILLIMETER, UNLESS OTHERWISE NOTED, AND ARE FOR REFERENCE ONLY.
  - REMOVED PER PCN 1568.
  - THESE PARTICULAR CAT. NO.'S ARE AVAILABLE IN 45° AND 90° ANGLES. ALL DIMENSIONS ARE THE SAME EXCEPT FOR THOSE SPECIFIED ON SHEET 3 OF 3.
  - REMOVE PER ECO 6956.
  - DIELESS TOOLS AND NO. CRIMPS FOR YA8CL-NT6 YA8CL-NT8 MY29-3(1) MY29-11(1) Y2MR(1).
  - THE Y2MR HAND TOOL CAN NOT BE USED ON YA3CL-NT516 SIZE. THERE IS NO DIE IN THE Y2MR FOR YA3CL-SIZES.
  - "X" DIE SETS ALSO WORK IN THE BCT500, Y500CT & PAT600 SERIES TOOLS.

TOLERANCE BLOCK							
CAT. NO.	B	C	K	L	N	O.D	T
YA8C THRU YA25	±.06	+ .04 - .02	±.02	±.09	±.03	±.01	±.03
YA26 THRU YA34	±.08	+ .04 - .02	±.02	±.12	±.03	±.01	±.04
YA34 AND UP	±.09	±.06	±.02	±.15	±.06	±.01	±.04



TO ORDER BURNDY® PRODUCTS CALL  
 UNITED STATES  
 1-800-346-4175 (LONDONDERRY, NH)  
 CANADA:  
 1-800-361-6975 (QUEBEC)  
 1-800-387-6487 (ALL OTHER PROVINCES)  
 FOR PRODUCT INFO: <http://www.burndy.com>

HYLUG™ COPPER (NARROW TONGUE)	
ITEM NO:	N/A
CAT. NO:	YA-L-NT-(TABLE)
DRAWN BY:	JRC 01/05/89
CHECKER:	K. HENRY 01/09/89
DSN APPVL:	RM 01/12/89
MFG APPVL:	N/A
QA APPVL:	F. RUMFELT 01/16/89
MKT APPVL:	--
PROD FAM:	--
PROJECT #:	--
DOCUMENT TYPE:	Sales
REL LEVEL:	Released

SCALE: 1:1  
 DRAWING NO: SD201517  
 SHEET 1 OF 3  
 REV: K

REV	DATE	DESCRIPTION	ECO	BY	C'H'K.
K	5/6/2009 9:24:00 AM	ADD CAT. NO. YA36LNT38 TO SHEET 3 PER M/U.	18038	RLB	JM

DRAWING NO. SD201517	CATALOG NUMBER	NAVY CABLE SIZE	ACCOMMODATES	FIG. NO.	STUD SIZE	DIMENSIONS										INSTALLATION TOOLING										WIRE STRIP LENGTH	
						O.D.	B	C	D MIN	E	H	K	L	N	T	COLOR CODE & DIE INDEX			DIELESS TOOLS & NO. OF CRIMPS	TOOLS, DIE NO. 'S & (# OF CRIMPS)							
																DIE INDEX	COLOR	TYPE		MD6	MD6-6R2 BCT500	MD7-34R	OUR840	Y35, Y39, Y750, Y45 & Y46	Y48B		Y60BHU
	YA26LNT10	NI25	2/0 STR (.419)	1	8-10	.563 [14]	.94 [24]	.62 [16]	1.14 [29]	----	----	.20 [5]	2.62 [67]	.33 [8]	.13 [3]	13	BLACK	2	MY29-3 (1) MY29-11 (1) Y644M (1) BAT644M (1)	W26RT(2) W26VT(2)	W26RT(2) W26VT(2)	W26VT(2) W26RT(2)	X26RT (2)	U26RT (1)	----	----	1"
D	YA26LNT516	NI25	2/0 STR (.419)	1	5/16"	.563 [14]	.94 [24]	.62 [16]	1.14 [29]	----	----	.33 [8]	2.62 [67]	.33 [8]	.13 [3]	13	BLACK	2		W26RT(2) W26VT(2)	W26RT(2) W26VT(2)	W26VT(2) W26RT(2)	X26RT (2)		----	----	1"
	YA26LNT516U	NI25	2/0 STR (.419)	1	----	.563 [14]	.94 [24]	.62 [16]	1.14 [29]	----	----	----	2.62 [67]	----	.13 [3]	13	BLACK	2		W26RT(2) W26VT(2)	W26RT(2) W26VT(2)	W26VT(2) W26RT(2)	X26RT (2)		----	----	1"
	YA26LNT38	NI25	2/0 STR (.419)	1	3/8"	.563 [14]	.94 [24]	.72 [16]	1.00 [25]	----	----	.41 [10]	2.48 [63]	.38 [10]	.12 [3]	13	BLACK	2		W26RT(2) W26VT(2)	W26RT(2) W26VT(2)	W26VT(2) W26RT(2)	X26RT (2)		----	----	1"
	YA26LNT14	NI25	2/0 STR (.419)	1	1/4"	.563 [14]	.94 [24]	.48 [12]	.59 [15]	----	----	.27 [7]	2.02 [51]	.25 [6]	.12 [3]	13	BLACK	2		W26RT(2) W26VT(2)	W26RT(2) W26VT(2)	W26VT(2) W26RT(2)	X26RT (2)		----	----	1"
	YA26L2NT14	NI25	2/0 STR (.419)	2	1/4"	.563 [14]	.94 [24]	.48 [12]	1.22 [31]	----	----	.63 [16]	2.66 [68]	.25 [6]	.12 [3]	13	BLACK	2		W26RT(2) W26VT(2)	W26RT(2) W26VT(2)	W26VT(2) W26RT(2)	X26RT (2)		----	----	1"
	YA26L2NT14E1	NI25	2/0 STR (.419)	2	1/4"	.563 [14]	.94 [24]	.48 [12]	1.60 [41]	1.00 [25]	----	.27 [7]	3.03 [77]	.25 [6]	.12 [3]	13	BLACK	2		W26RT(2) W26VT(2)	W26RT(2) W26VT(2)	W26VT(2) W26RT(2)	X26RT (2)		----	----	1"
	YA26L2NT38	NI25	2/0 STR (.419)	2	3/8"	.563 [14]	.94 [24]	.62 [16]	1.88 [48]	1.00 [25]	----	.41 [10]	3.33 [85]	.38 [10]	.13 [3]	13	BLACK	2		W26VT(2) W26RT(2)	W26VT(2) W26RT(2)	W26VT(2) W26RT(2)	X26RT (2)		----	----	1"
	YA26L2NT38D300	NI25	2/0 STR (.419)	2	3/8"	.563 [14]	.94 [24]	.62 [16]	3.00 [76]	1.00 [25]	----	.41 [10]	4.46 [113]	.38 [10]	.13 [3]	13	BLACK	2		W26VT(2) W26RT(2)	W26VT(2) W26RT(2)	W26VT(2) W26RT(2)	X26RT (2)	----	----	1"	
	YA27LNT38	NI50	3/0 STR (.470)	1	3/8"	.615 [16]	1.00 [25]	.76 [19]	1.14 [29]	----	----	.41 [10]	2.73 [69]	.38 [10]	.12 [3]	14	ORANGE	2		W27RT(2) W27VT(2)	W27RT(2) W27VT(2)	W27VT(2) W27RT(2)	X27RT (3)	U27RT (1)	----	----	1-1/16"
C	YA27LNT14	NI50	3/0 STR (.470)	1	3/8"	.615 [16]	1.00 [25]	.76 [19]	.67 [17]	.63 [16]	----	.27 [7]	2.10 [53]	.31 [8]	.13 [3]	14	ORANGE	2		W27RT(2) W27VT(2)	W27RT(2) W27VT(2)	W27VT(2) W27RT(2)	X27RT (3)	U27RT (1)	----	----	1-1/16"
	YA27L2NT14	NI50	3/0 STR (.470)	2	1/4"	.615 [16]	1.00 [25]	.76 [19]	1.30 [33]	.63 [16]	----	.27 [7]	2.73 [69]	.31 [8]	.13 [3]	14	ORANGE	2		W27RT(2) W27VT(2)	W27RT(2) W27VT(2)	W27VT(2) W27RT(2)	X27RT (3)	U27RT (1)	----	----	1-1/16"
	YA28LNT14	N200	4/0 STR (.528)	1	1/4"	.688 [17]	.88 [22]	.76 [19]	1.07 [27]	----	----	.27 [7]	2.60 [66]	.31 [8]	.14 [4]	15	PURPLE	2		W28RT(2) W28VT(2)	W28RT(2) W28VT(2)	W28VT(2) W28RT(2)	X28RT (3)	U28RT (1)	C28R (1)	----	1-1/16"
	YA28L2NT14	N200	4/0 STR (.528)	2	1/4"	.688 [17]	.88 [22]	.76 [19]	1.30 [33]	.63 [16]	----	.27 [7]	2.65 [67]	.31 [8]	.13 [3]	15	PURPLE	2		W28RT(2) W28VT(2)	W28RT(2) W28VT(2)	W28VT(2) W28RT(2)	X28RT (3)	U28RT (1)	C28R (1)	----	1-1/16"
	YA28LENT38	N200	4/0 STR (.528)	1	3/8"	.688 [17]	.88 [22]	.60 [15]	1.14 [29]	----	----	.41 [10]	2.67 [68]	.38 [10]	.14 [4]	15	PURPLE	2		W28RT(2) W28VT(2)	W28RT(2) W28VT(2)	W28VT(2) W28RT(2)	X28RT (3)	U28RT (1)	C28R (1)	----	1-1/16"
	YA28LNT38	N200	4/0 STR (.528)	1	3/8"	.688 [17]	.88 [22]	.76 [19]	1.14 [29]	----	----	.41 [10]	2.67 [68]	.38 [10]	.14 [4]	15	PURPLE	2		W28RT(2) W28VT(2)	W28RT(2) W28VT(2)	W28VT(2) W28RT(2)	X28RT (3)	U28RT (1)	C28R (1)	----	1-1/16"
	YA29LNT38	N250	250 kcmil (.575)	1	3/8"	.750 [19]	1.06 [27]	.96 [24]	1.20 [30]	----	----	.41 [10]	2.96 [75]	.38 [10]	.16 [4]	16	YELLOW	2		----	W29RT(2) W29VT(2)	W29VT (2)	X29RT (4)	U29RT (1)	C29R (1)	----	1-1/8"
	YA29LENT516	N250	250 kcmil (.575)	1	3/8"	.750 [19]	1.06 [27]	.76 [19]	.72 [18]	----	----	.33 [8]	2.49 [63]	.34 [9]	.16 [4]	16	YELLOW	2		----	W29RT(2) W29VT(2)	W29VT (2)	X29RT (4)	U29RT (1)	C29R (1)	----	1-1/8"
	YA29LENT38	N250	250 kcmil (.575)	1	3/8"	.750 [19]	1.06 [27]	.76 [19]	1.20 [30]	----	----	.41 [10]	2.96 [75]	.38 [10]	.16 [4]	16	YELLOW	2	----	W29RT(2) W29VT(2)	W29VT (2)	X29RT (4)	U29RT (1)	C29R (1)	----	1-1/8"	
	YA30LNT38	N300	300 kcmil (.630)	1	3/8"	.813 [21]	1.03 [26]	.96 [24]	1.20 [30]	----	----	.41 [10]	2.97 [75]	.38 [10]	.16 [4]	17 OR 298	WHITE	2	----	W30RT(4) W30VT(4)	W30VT (4)	----	U30RT (2)	----	----	1-1/8"	
B	YA31LNT38	N350	350 kcmil (.681)	1	3/8"	.875 [22]	1.06 [27]	.96 [24]	1.45 [37]	----	----	.41 [10]	3.31 [84]	.38 [10]	.18 [4]	18 OR 324	RED	2	----	W31RT(4) W31VT(4)	W31VT (4)	----	U31RT (2)	----	----	1-1/8"	
	YA31L2NT38	N350	350 kcmil (.681)	2	3/8"	.875 [22]	1.06 [27]	.96 [24]	1.82 [46]	1.00 [25]	----	.41 [10]	3.51 [89]	.41 [10]	.18 [4]	18 OR 324	RED	2	----	W31RT(4) W31VT(4)	W31VT (4)	----	U31RT (2)	----	----	1-1/8"	
	YA32LNT12	N400	400 kcmil (.728)	1	1/2"	.953 [24]	1.19 [30]	.96 [24]	1.20 [30]	----	----	.53 [13]	3.21 [82]	.38 [10]	.19 [5]	19 OR 470	BLUE	2	----	W32RT(4) W32VT(4)	W32VT (4)	----	U32RT (2)	C32R (1)	L32RT (1)	1-1/4"	
	YA32LNT38	N400	400 kcmil (.728)	1	3/8"	.953 [24]	1.19 [30]	.96 [24]	1.20 [30]	----	----	.41 [10]	3.21 [82]	.38 [10]	.19 [5]	19 OR 470	BLUE	2	----	W32RT(4) W32VT(4)	W32VT (4)	----	U32RT (2)	C32R (1)	L32RT (1)	1-1/4"	

SEE SHEET 1 FOR NOTES & FIGURES 1 & 2

TOLERANCES	
CAT. NO.	L
YA8C THRU YA25	±.09
YA26 THRU YA34	±.12
YA34 AND UP	±.15

TO ORDER BURNDY® PRODUCTS CALL		HYLUG™ COPPER (NARROW TONGUE)	
UNITED STATES 1-800-346-4175 (LONDONDERRY, NH)		ITEM NO: N/A	CAT. NO: YA-L-NT-(TABLE)
CANADA: 1-800-361-6975 (QUEBEC) 1-800-387-6487 (ALL OTHER PROVINCES)		DRAWN BY: JRC 01/05/89	CHECKER: K.HENRY 01/09/89
FOR PRODUCT INFO: <a href="http://www.burndy.com">http://www.burndy.com</a>		DSN APPVL: RM 01/12/89	MFG APPVL: N/A --
		QA APPVL: F.RUMFELT 01/16/89	MKT APPVL: --
		PROJ #:	SIZE: D
		DOCUMENT TYPE: Sales	DRAWING NO: SD201517
		REL LEVEL: Released	SHEET 2 OF 3

REV	DATE	DESCRIPTION	ECO	BY	C'H'K.
K	5/6/2009 9:24:00 AM	ADD CAT. NO. YA36LNT38 TO SHEET 3 PER M/U.	18038	RLB	JM

REV: PE0200

CATALOG NUMBER	NAVY CABLE SIZE	ACCOMMODATES	FIG.	STUD SIZE	DIMENSIONS										COLOR CODE & DIE INDEX			INSTALLATION TOOLING							WIRE STRIP LENGTH			
					O.D.	B	C	D MIN.	E	H	K	L	N	T	DIE INDEX	COLOR	TYPE	DIELESS TOOLS & NO. OF CRIMPS	TOOLS, DIE NO.'S & (NO. OF CRIMPS)									
																			MD6	MD6-6R2 BCT500 Y500CT	MD7-34R	OUR840	Y35, Y39, Y750, Y45, Y46 PAT750	Y48B		Y60BHU		
YA34LNT38	----	500 kcmil (.813)	1	3/8"	1.060	1.27 [32]	.96 [24]	1.45 [37]	----	----	.40 [10]	3.65 [93]	.38 [10]	.23 [6]	20 OR 299	BROWN	II	Y644M (1) PAT644M(1)	----	W34RT(4) W34VT(4)	W34VT(4)	----	U34RT(2)	----	----	1-7/16"		
YA34L2NT38	----	500 kcmil (.813)	2	3/8"	1.060	1.27 [32]	.96 [24]	1.82 [46]	1.00 [25]	----	.40 [10]	3.87 [98]	.41 [10]	.23 [6]	20 OR 299	BROWN	II		----	W34RT(4) W34VT(4)	W34VT(4)	----	U34RT(2)	----	----	1-7/16"		
YA36LNT38	----	600 kcmil (.893)	1	3/8"	1.178	1.38 [35]	1.12 [28]	1.70 [43]	----	----	.40 [10]	4.09 [104]	.63 [16]	.27 [7]	22 OR 472	GREEN	II		----	----	----	----	U36RT(2)	C36R(1)	L36RT(1)	1-3/4"		
YA36L2NNT	----	600 kcmil (.893)	2	1/2"	1.188	1.38 [35]	1.12 [28]	3.00 [76]	1.75 [94]	----	.56 [14]	5.43 [138]	.63 [16]	.27 [7]	22 OR 472	GREEN	II		----	----	----	----	U36RT(2)	C36R(1)	L36RT(1)	1-3/4"		
YA39LNT38	----	750 kcmil (.998)	1	3/8"	1.300	1.42 [36]	1.12 [28]	1.70 [43]	----	----	.40 [10]	4.24 [108]	.63 [16]	.27 [7]	24	BLACK	II		----	----	----	----	U39RT(2)	C39R(1)	L39RT(1)	1-1/2"		
YA39L2NT38	----	750 kcmil (.998)	8	2	3/8"	1.300	1.42 [36]	1.63 [41]	2.06 [52]	1.00 [25]	----	.40 [10]	4.34 [110]	.50 [13]	.27 [7]	24	BLACK		II	----	----	----	----	U39RT(2)	C39R(1)	L39RT(1)	1-1/2"	
YA2CL2NT1445	N60	#2 STR (.292)	8	3	1/4	.415	.88 [22]	.48 [12]	1.26 [32]	.63 [16]	1.15 [29]	.27 [7]	2.38 [60]	.31 [8]	.11 [3]	10	BROWN		I	MY29-3 (1) MY29-11 (1) Y2MR (2)	W2CRT(1) W2CVT(1)	W2CRT(1) W2CVT(1)	W2CRT(1) W2CVT(1)	X2CRT(1)	U2CRT(1)	----	----	15/16"
YA2CL2NT1490			8	4	1/4	.415	.88 [22]	.48 [12]	1.26 [32]	.63 [16]	1.37 [35]	.27 [7]	1.58 [40]	.31 [8]	.11 [3]	10	BROWN		I	MY29-3 (1) MY29-11 (1) Y2MR (2)	W2CRT(1) W2CVT(1)	W2CRT(1) W2CVT(1)	W2CRT(1) W2CVT(1)	X2CRT(1)	U2CRT(1)	----	----	15/16"
YA2CL2NT14E145	N60	#2 STR (.292)	8	3	1/4	.415	.88 [22]	.48 [12]	1.64 [42]	1.00 [25]	1.15 [29]	.27 [7]	2.76 [70]	.31 [8]	.11 [3]	10	BROWN		I	MY29-3 (1) MY29-11 (1) Y2MR (2)	W2CRT(1) W2CVT(1)	W2CRT(1) W2CVT(1)	W2CRT(1) W2CVT(1)	X2CRT(1)	U2CRT(1)	----	----	15/16"
YA2CL2NT14E190	N60	#2 STR (.292)	8	4	1/4	.415	.88 [22]	.48 [12]	1.64 [42]	1.00 [25]	1.37 [35]	.27 [7]	1.96 [50]	.31 [8]	.11 [3]	10	BROWN		I	MY29-3 (1) MY29-11 (1) Y2MR (2)	W2CRT(1) W2CVT(1)	W2CRT(1) W2CVT(1)	W2CRT(1) W2CVT(1)	X2CRT(1)	U2CRT(1)	----	----	15/16"
YA25L2NT1445	N100	1/0 STR (.372)	8	3	1/4	.513	.88 [22]	.48 [12]	1.30 [33]	.63 [16]	1.28 [33]	.27 [7]	2.49 [63]	.31 [8]	.12 [3]	12	PINK	II	MY29-3 (1) MY29-11 (1)	W25RT(2) W25VT(2)	W25RT(2) W25VT(2)	W25RT(2) W25VT(2)	X25RT(2)	U25RT(1)	----	----	15/16"	
YA25L2NT1490	N100	1/0 STR (.372)	8	4	1/4	.513	.88 [22]	.48 [12]	1.30 [33]	.63 [16]	1.46 [37]	.27 [7]	1.68 [43]	.31 [8]	.12 [3]	12	PINK	II	MY29-3 (1) MY29-11 (1) PAT644M(1)	W25RT(2) W25VT(2)	W25RT(2) W25VT(2)	W25RT(2) W25VT(2)	X25RT(2)	U25RT(1)	----	----	15/16"	
YA25L2NT14E145	N100	1/0 STR (.372)	8	3	1/4	.513	.88 [22]	.48 [12]	1.94 [49]	1.00 [25]	1.28 [33]	.27 [7]	3.13 [80]	.25 [6]	.12 [3]	12	PINK	II	MY29-3 (1) MY29-11 (1) Y644M (1) PAT644M(1)	W25RT(2) W25VT(2)	W25RT(2) W25VT(2)	W25RT(2) W25VT(2)	X25RT(2)	U25RT(1)	----	----	15/16"	
YA25L2NT14E190	N100	1/0 STR (.372)	8	4	1/4	.513	.88 [22]	.48 [12]	1.94 [49]	1.00 [25]	1.46 [37]	.27 [7]	2.32 [59]	.25 [6]	.12 [3]	12	PINK	II	MY29-3 (1) MY29-11 (1) Y644M (1) PAT644M(1)	W25RT(2) W25VT(2)	W25RT(2) W25VT(2)	W25RT(2) W25VT(2)	X25RT(2)	U25RT(1)	----	----	15/16"	
YA26L2NT3845	N125	2/0 STR (.419)	8	3	3/8"	.563	.94 [24]	.62 [16]	1.88 [48]	1.00 [25]	1.49 [38]	.40 [10]	3.05 [77]	.38 [10]	.13 [3]	13	BLACK	II	MY29-3 (1) MY29-11 (1) Y644M (1) PAT644M(1)	W26RT(2) W26VT(2)	W26RT(2) W26VT(2)	W26RT(2) W26VT(2)	X26RT(2)	U26RT(1)	----	----	11"	
YA26L2NT38D30045	N125	2/0 STR (.419)	8	3	3/8"	.563	.94 [24]	.62 [16]	3.00 [76]	1.00 [25]	1.49 [38]	.40 [10]	4.17 [106]	.38 [10]	.13 [3]	13	BLACK	II	Y644M (1) PAT644M(1)	W26RT(2) W26VT(2)	W26RT(2) W26VT(2)	W26RT(2) W26VT(2)	X26RT(2)	U26RT(1)	----	----	11"	
YA31LNT3845	N350	350 kcmil (.681)	8	5	3/8"	.875	1.06 [25]	.96 [24]	1.45 [37]	----	1.85 [47]	.41 [10]	3.02 [77]	.38 [10]	.18 [5]	18 OR 324	RED	II	MY29-3 (1) MY29-11 (1) Y644M (1) PAT644M(1)	----	W31RT(4) W31VT(4)	W31VT(4)	----	U31RT(2)	----	----	1-1/8"	
YA31LNT3890	N350	350 kcmil (.681)	8	6	3/8"	.875	1.06 [25]	.96 [24]	1.45 [37]	----	1.98 [50]	.41 [10]	2.00 [51]	.38 [10]	.18 [5]	18 OR 324	RED	II	MY29-3 (1) MY29-11 (1) Y644M (1) PAT644M(1)	----	W31RT(4) W31VT(4)	W31VT(4)	----	U31RT(2)	----	----	1-1/8"	
YA39L2NT3845	----	750 kcmil (.998)	8	3	3/8"	1.300	1.42 [36]	1.63 [41]	2.06 [52]	1.00 [25]	2.65 [67]	.40 [10]	4.40 [112]	.50 [13]	.27 [7]	24	BLACK	II	Y644M (1) PAT644M(1)	----	----	----	----	U39RT(2)	C39R(1)	L39RT(1)	1-1/2"	
YA39L2NT3890	----	750 kcmil (.998)	8	4	3/8"	1.300	1.42 [36]	1.63 [41]	2.06 [52]	1.00 [25]	2.81 [71]	.40 [10]	2.97 [75]	.50 [13]	.27 [7]	24	BLACK	II	Y644M (1) PAT644M(1)	----	----	----	----	U39RT(2)	C39R(1)	L39RT(1)	1-1/2"	

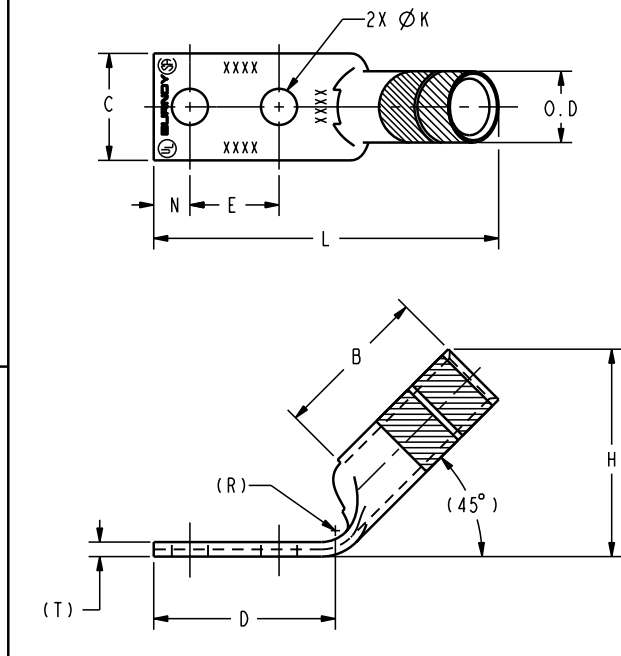


FIG. 3

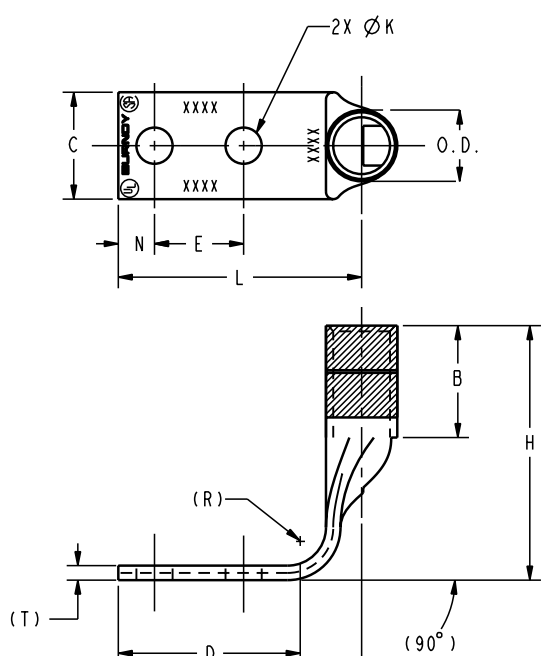


FIG. 4

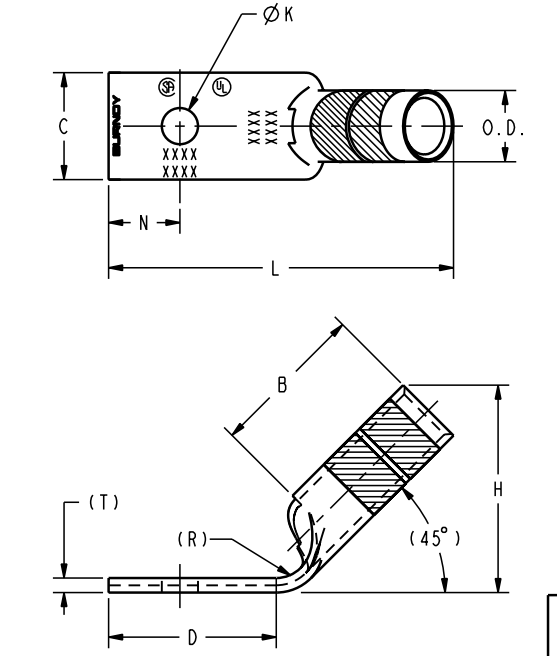


FIG. 5

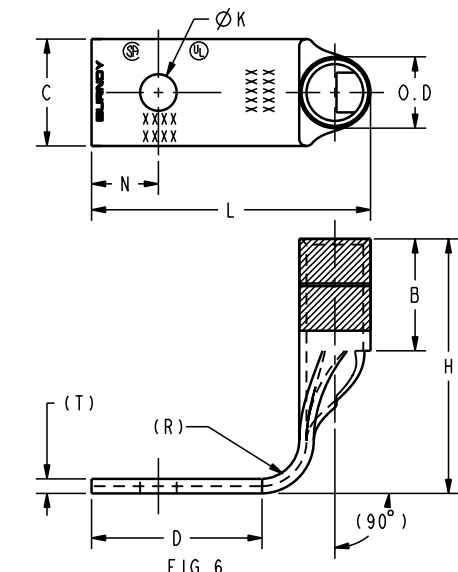


FIG. 6

TOLERANCES	
CAT. NO.	L
YA8C THRU YA25	±.09
YA26 THRU YA34	±.12
YA34 AND UP	±.15

TO ORDER BURNDY® PRODUCTS CALL  
 UNITED STATES  
 1-800-346-4175 (LONDONDERRY, NH)  
 CANADA:  
 1-800-361-6975 (QUEBEC)  
 1-800-387-6487 (ALL OTHER PROVINCES)  
 FOR PRODUCT INFO: <http://www.burndy.com>

HYLUG™ COPPER (NARROW TONGUE)  
 ITEM NO: N/A  
 CAT. NO: YA-L-NT-(TABLE)  
 DRAWN BY: JRC 01/05/89  
 CHECKER: K.HENRY 01/09/89  
 DSN APPVL: RM 01/12/89  
 MFG APPVL: N/A --  
 QA APPVL: F.RUMFELT 01/16/89  
 MKT APPVL: --  
 PROD FAM: --  
 PROJECT #: --  
 DOCUMENT TYPE: Sales  
 REL LEVEL: Released

SCALE: 1:1  
 DRAWING NO: SD201517  
 SHEET 3 OF 3

REV: PEO200

REV	DATE	DESCRIPTION	ECO	BY	C'H'K.
K	5/6/2009 9:24:00 AM	ADD CAT. NO. YA36LNT38 TO SHEET 3 PER M/U.	18038	RLB	JM

SEE SHEET 1 FOR NOTES & FIG. 'S 1 & 2